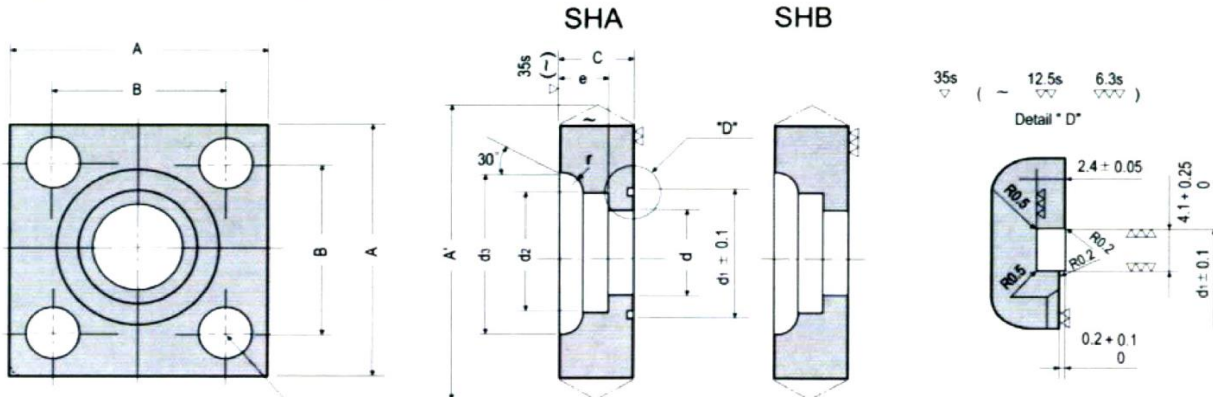


# 210kg/Cm<sup>2</sup>

## FLANGE FOR OIL PRESSURE

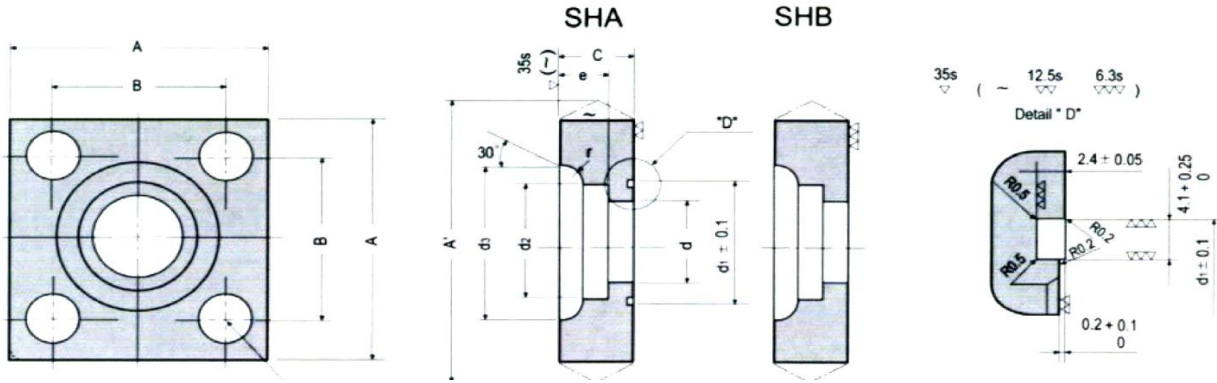


4	CS				SS304								
NB	FL		BL		FL		BL		AF	PCD	TK	H	KG
	1		1		1		1						
15	\$ 16.00	193	\$ 29.00	3	\$ 34.00	25	\$ -		63	40	22	11	0.6
20	\$ 17.00	461	\$ 31.00	2	\$ 44.00	16	\$ -		68	45	22	11	0.7
25	\$ 25.00	12	\$ 38.00	10	\$ 51.00	39	\$ -		80	53	28	13	1.2
32	\$ 30.00	0	\$ 45.00	9	\$ 68.00	8	\$ -		90	63	28	13	1.5
40	\$ 37.00	179	\$ 57.00	3	\$ 90.00	17	\$ -		100	70	36	18	2.4
50	\$ 49.00	6	\$ 64.00	0	\$ 123.00	15	\$ -		115	80	36	18	2.8
65	\$ 56.00	5	\$ -		\$ -		\$ -		140	100	45	22	5.3
80	\$ 77.00	5	\$ -		\$ -		\$ -		155	112	45	24	6.2
100	\$ 225.00	20	\$ -		\$ -		\$ -						



# 210kg/Cm<sup>2</sup>

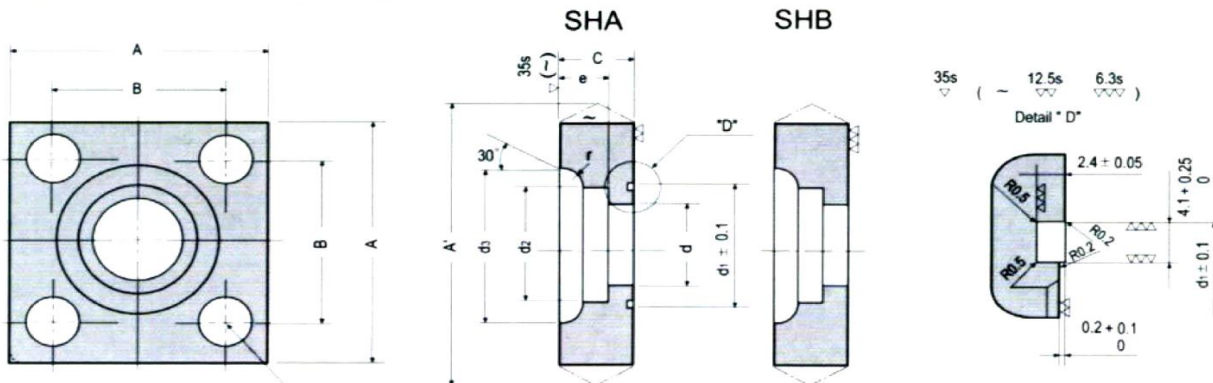
## FLANGE FOR OIL PRESSURE



	CS				SS304								
NB	FL		BL		FL		BL		AF	PCD	TK	H	KG
15	4	200	4		4	30	4		63	40	22	11	0.6
20	4	500	4		4	50	4		68	45	22	11	0.7
25	4	300	4		4	50	4		80	53	28	13	1.2
32	4	100	4		4	10	4		90	63	28	13	1.5
40	4		4		4	20	4		100	70	36	18	2.4
50	4	50	4		4	15	4		115	80	36	18	2.8
65	4	30	4		4		4		140	100	45	22	5.3
80	4	30	4		4		4		155	112	45	24	6.2
100	4	20	4		4		4						

# 210kg/Cm<sup>2</sup>

## FLANGE FOR OIL PRESSURE



	CS			SS304									
NB	FL		BL	FL		BL		AF	PCD	TK	H	KG	
15	\$ 1.00	200	\$ 1.00	\$ 1.00	30	\$ 1.00		63	40	22	11	0.6	
20	\$ 1.00	500	\$ 1.00	\$ 1.00	50	\$ 1.00		68	45	22	11	0.7	
25	\$ 1.00	300	\$ 1.00	\$ 1.00	50	\$ 1.00		80	53	28	13	1.2	
32	\$ 1.00	100	\$ 1.00	\$ 1.00	10	\$ 1.00		90	63	28	13	1.5	
40	\$ 1.00		\$ 1.00	\$ 1.00	20	\$ 1.00		100	70	36	18	2.4	
50	\$ 1.00	50	\$ 1.00	\$ 1.00	15	\$ 1.00		115	80	36	18	2.8	
65	\$ 1.00	30	\$ 1.00	\$ 1.00		\$ 1.00		140	100	45	22	5.3	
80	\$ 1.00	30	\$ 1.00	\$ 1.00		\$ 1.00		155	112	45	24	6.2	
100	\$ 1.00	20	\$ 1.00	\$ 1.00		\$ 1.00							

### SQUARE FLANGE TYPE: SHA&SHB

#### MATERIAL: SS400

15A	200	3.68	736.0
20A	500	4.01	2,005.
25A	300	6.08	1,824.
32A	100	7.19	719.0
50A	50	12.47	623.5
65A	30	23.26	697.8
80A	30	30.07	902.1
100A	20	54.97	1,099.

### SQUARE FLANGE TYPE: SHA&SHB

#### MATERIAL: SUS 304

1/2"	30	16.49	494.7
3/4"	50	21.20	1,060.
1"	50	24.50	1,225.

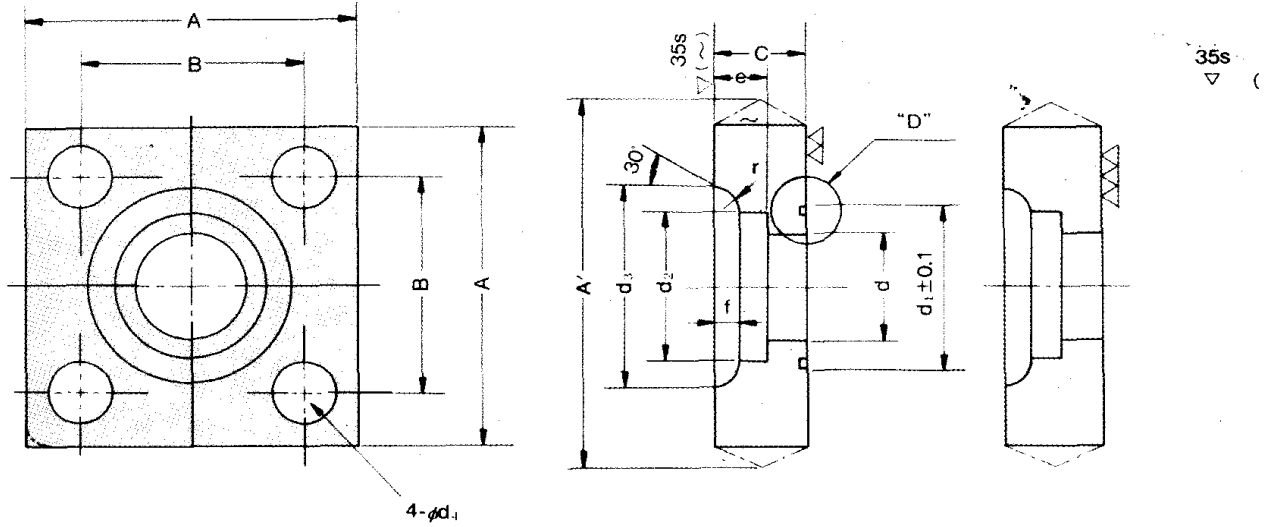
1"	
1 1/4"	
1 1/2"	
2"	
<b>METAL ROSE BOX G.1</b>	
1"	
1 1/4"	
2"	
3"	
4"	

50	24.50	1,225.
10	32.97	329.7
20	43.97	879.4
15	59.68	895.7
100	4.30	430.0
50	5.15	257.5
80	6.77	541.6
80	13.62	1089.
30	18.85	565.4

## FLANGE FOR OIL PRESSURE

SHA

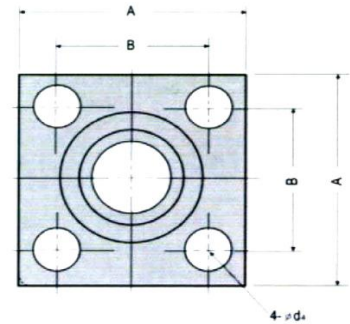
SHB



Nominal Bore	A	A' (MAX)	B	C	d	d1	d2	e	d3	d4					
15	63	±1	67	40	±0.2	22	+0 -1	16	30	±0.1	22.2	+0.2 -0	11	32	11
20	68		72	45		22		20			35		27.7	12	38
25	80	±1.2	85	53	±0.4	28	+0 -1.5	25	40	±0.1	34.5	+0.3 -0	14	45	13
32	90		95	63		28		31.5			45		43.2	16	56
40	100	±1.5	106	70	±0.4	36	+0 -2	37.5	55	±0.1	49.1	+0.4 -0	18	63	18
50	112		118	80		36		47.5			65		61.1	20	75
65	140	±2	148	100	±0.4	45	+0 -2	60	80	±0.1	77.1	+0.4 -0	22	95	22
80	155		163	112		45		71			90		90.0	25	108

# 210kg/Cm<sup>2</sup>

## FLANGE FOR OIL PRESS



Nominal Bore	A	A' (MAX)	B	C			
15	63	±1	67	40	22	+	
20	68	±1	72	45	22	-	
25	80	±1.2	85	53	±0.2	28	+
32	90	±1.2	95	63	±0.2	28	-1
40	100	±1.5	106	70	±0.4	36	+
50	112	±1.5	118	80	±0.4	36	-
65	140	±2	148	100	±0.4	45	+
80	155	±2	163	112	±0.4	45	-

7295	FSQ 0.050 SQUARE FLANGE 15A(H)	193	16
7296	FSQ 0.075 SQUARE FLANGE 20A(H)	461	17
7297	FSQ 0.100 SQUARE FLANGE 25A(H)	179	25
7298	FSQ 0.125 SQUARE FLANGE 32A(H)	12	30
7299	FSQ 0.150 SQUARE FLANGE 40A(H)	0	37
7300	FSQ 0.200 SQUARE FLANGE 50A(H)	5	49
7301	FSQ 0.250 SQUARE FLANGE 65A (HALF)	6	56
7302	FSQ 0.300 SQUARE FLANGE 80A (HALF)	5	77
7303	FSQ 0.400 SQUARE FLANGE 100A(H)	20	225
7304	FSQB 0.050 SQUARE BLIND 15A(H)	3	29
7305	FSQB 0.075 SQUARE BLIND 20A(H)	2	31
7307	FSQB 0.125 SQUARE BLIND 32A(H)	10	38
7308	FSQB 0.150 SQUARE BLIND 40A(H)	9	45
7306	FSQB 0.100 SQUARE BLIND 25A(H)	3	57
7309	FSQB 0.200 SQUARE BLIND 50A(H)	0	64
10469	SSSQ15 SUS 304 SQUARE FLANGE 15A	25	34
10470	SSSQ20 SUS 304 SQUARE FLANGE 20A	16	44
10472	SSSQ32 SUS 304 SQUARE FLANGE 32A	39	51
10473	SSSQ40 SUS 304 SQUARE FLANGE 40A	8	68
10471	SSSQ25 SUS 304 SQUARE FLANGE 25A	17	90
10474	SSSQ50 SUS 304 SQUARE FLANGE 50A	15	123

19.7	\$	5.35	30.45	6.92045455
22.4	\$	5.59	34	7.72727273
26.3	\$	4.33	40	9.09090909
31.5	\$	4.38	50.4	11.4545455
44.7	\$	4.30	61	13.8636364
63	\$	5.05	69.3	15.75
91.9	\$	3.95		
122.1	\$	4.06		
	\$	-		





30  
.00  
.00  
30  
50  
30  
10  
.40

70  
.00  
na

# AIR VENT HE

5KAV/2006/EIAB
5KAV/2006/TMET
5KAV/2006/AIHL
5KAV/2006/OTEL

100  
 70  
 40  
 20  
  
 10  
 50  
 30  
 60  
 50

## METAL RO

SNH/T/2005
MNHN/T/2005
TOB/2006
BTM/2006
EAHN/T/2005
THAN/T/2005
AOHN/T/2005
EMIO/2006
TEMA/2006
LABO/2006

## SQUARE F

SF 15A/OAL/2006
SF 20A/LHN/2006
SF 25A/STA/2006
SF 32A/MMMI/2006
SF 40A/MABO/2006
SF 50A/MLBS/2006
SF 65A/EONA/2006
SF 80A/ELIL/2006

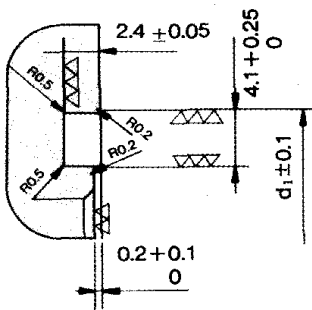
BLIND SQUARE L

## STAINLESS

SS304/15AEBAH/2
SS304/20ATELH/2
SS304/25ATLIN/20
SS304/32ABHIH/20
SS304/40AOLLB/2
SS304/50ASMSM/

~ 12.5s 6.3s  
 ∇ ∇ ∇ ∇ ∇ ∇

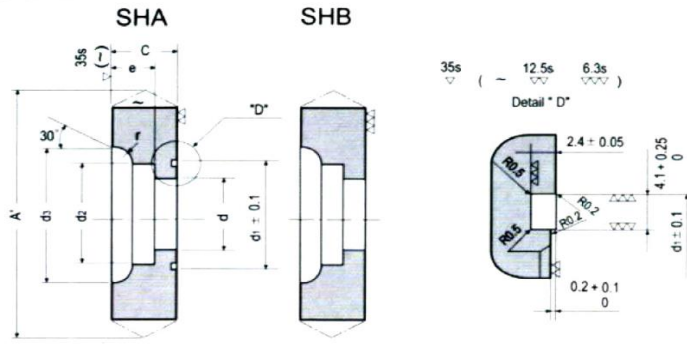
Detail "D"



Unit : mm

f	r	Weight (kg)	G계열 O링
3.5	5	0.6	G25
4.0	5	0.7	G30
4.0	5	1.2	G35
6.0	5	1.5	G40
7.0	5	2.4	G50
7.0	5	2.8	G60
9.5	6	5.3	G75
11.0	6	6.2	G85

# SSURE



Unit:mm

	d	d <sub>1</sub>	d <sub>2</sub>	e	d <sub>3</sub>	d <sub>4</sub>	f	r	Weight (kg)	G계열 O림	
-0	16	30	22.2	+0.2	11	32	11	3.5	5	0.6	G25
-1	20	35	27.7	-0	12	38	11	4.0	5	0.7	G30
-0	25	40	34.5		14	45	13	4.0	5	1.2	G35
1.5	31.5	45	43.2	+0.3	16	56	13	6.0	5	1.5	G40
	37.5	55	49.1	-0	18	63	18	7.0	5	2.4	G50
-0	47.5	65	61.1		20	75	18	7.0	5	2.8	G60
-2	60	80	77.1	+0.4	22	95	22	9.5	6	5.3	G75
	71	90	90.0	-0	25	108	24	11.0	6	6.2	G85

101.58	\$	6.16
130.59	\$	6.16
150.92	\$	6.16
203.1	\$	6.16
270.86	\$	6.16
367.63	\$	6.16



AD 5K

WJHL

16-05-2006

	DN50	65.00	81.25
	DN65	72.00	90.00
	DN80	90.00	112.50
	DN100	120.00	150.00



## SE BOX

	25A	20.00	25.00
	32A	25.00	31.25
	40A	30.00	37.50
	50A	32.00	40.00
	65A	38.00	47.50
	80A	42.00	52.50
	100A	55.00	68.75
	125A	75.00	93.75
	150A	100.00	125.00
	200A	180.00	225.00

## LANGE 210K ~ SS400

	15A	19-70	22-50
	20A	22-40	25-50
	25A	26-30	30-00
5	32A	31-50	36-00
6	40A	44-70	51-00
5/5	50A	63-00	72-00
6	65A	91-90	105-00
	80A	122-10	139-50



LANGE 210K - SS400			
	15A	30-45	34-80
	20A	34-00	39-00
	25A	40-00	46-00
	32A	50-00	58-00
	40A	61-00	70-00
	50A	69-30	80-00

## STEEL 304 SQUARE FLANGE

008	15A	101.58	121.89
008	20A	130.59	156.71
008	25A	150.92	181.10
008	32A	203.10	243.71
008	40A	270.86	325.03
2008	50A	367.63	441.15