

Zhuhong



Pipe Repair Expets

Zhu Hong Mechanical



Dalian Zhuhong Mechanical CO.,LTD

Directory



The company product introduction	1
Multifunctional pipe connections for repair product characteristics	2
Multifunctional pipe connections for repair specific applications	3
Single band pipe connectors product to explain and technical parameter	4
GR Toothed ring type pipe connection explain and technical parameter	5
RCH Folding tyre repair clamp explain and technical parameter	6
RCD DoubleCard repair clamp explain and technical parameter	7
Multifunctional pipe connections explain and installation instructions	8
Band repair clamp's characteristics	9
Stainless steel band repair clamp's explain and technical parameter	10
D.I band repair clamp's explain and technical parameter	11
Band repair clamp's application	12
Band repair clamp's direction for use	13
Straight multifunctional pipe connection explain and installation instructions	14
Straight multifunctional pipe connection structure parameters and installation instructions	15
Small repair clamp's explain and installation instructions	16、17
Small repair clamp's structure parameters and installation instructions	18
CR-T band diverging Tee explain and technical parameter	19
CR-T band diverging Tee	20
New Products	21

Product introduction



MF type pipe connection



GR Toothed ring type pipe connection



RC open-type repair clamp



RCH Folding tyre repair clamp



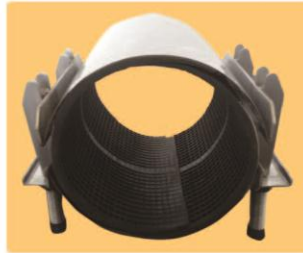
RCD DoubleCard repair clamp



RCE pipe repair clamp



CR Single band repair clamp



CR Double band repair clamp



CR-T band diverging Tee



ZR Single band repair clamp



ZR Double band repair clamp



H-minitype repair clamp



Widely Straight Coupling

Multifunctional pipe connections and repair clamp characteristics

Product characteristics

Flexible connection Strong corrosion resistance Without welding No fire Save space
Apply to all kinds of material of the pipes Take pressure sealing Convenient installation

Application field

The surface and underground engineering, shipbuilding/sea oil platform, water, gas/natural gas supply, power, industrial production, sewage treatment and maintenance, etc

Use line :

Crude oil pipeline, gas pipelines, natural gas pipelines, give/drainage pipeline, aviation/car special line, lubricating oil pipeline, slag line, take mud straws line, blunt water power line, cable protection pipeline, sea water/freshwater pipeline, pipe, air conditioning turbine machine pipes, fire pipeline, pipe, compressed air ventilation pipe, etc.

● Generality

Suitable for any pipes, can connect different material, axial different diameter, different pipeline, adapted to the fast

● economical efficiency

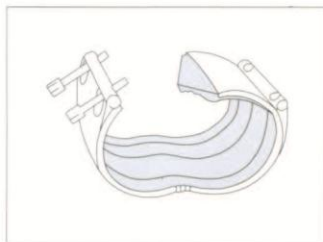
Tube not processing can be connected, the wall is thin, wall thickness control all can use it. Easy installation, greatly reduce the construction cost.

● Reliability

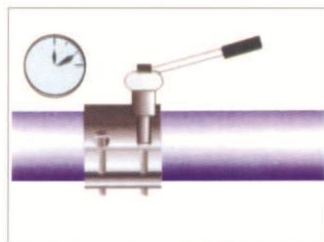
The axial displacement of deflection Angle and compensate, apron lips of structure can be increased with pressure sealing effect improves.



Axial deviation free connection



1. Adapt to the newly-built piping and old pipe repair work, connection device can quickly remove repair, and can be used again.



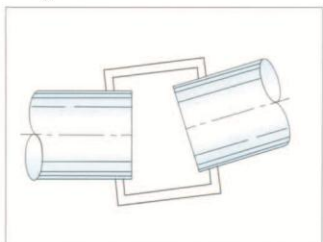
2. Installation fast, the method is simple, no special tools, do not need specialized technical team.



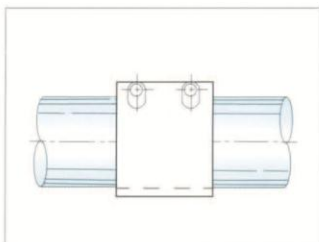
3. Adopt stainless steel shell and lips of structure of the apron can effectively prevent the external corrosion and internal chemical medium corrosion



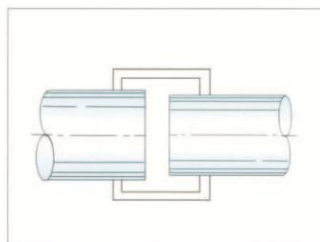
4. Lightweight, save space, easy to install, even in the narrow space can also be installed.



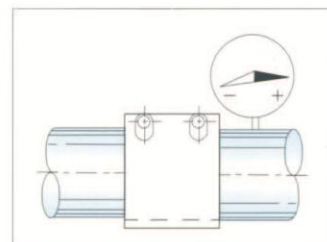
5. Multifunctional pipe repair clamp allow two pipe axis to maximum deviation Angle



6. This product can buffer vibration, flexible connection, make sure the shaking the reliable connection.



7. The diameter of the different two pipe connection, allow ± 4 mm in diameter, and can be connected to any different material of the pipe.

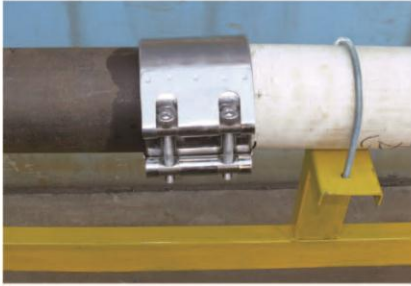


8. Product installation safe, reliable, and lips sealed in pressure range of criteria to ensure safe and reliable applications, be worth to trust.

Multifunctional pipe repair clamp specific applications

1. In oil and gas, supply/drain pipeline engineering application:

Piping construction is more convenient, reliable, safe and allow the wrong Angle and become axis, different wall thickness, pipe connection of different materials will not be affected. Product surface materials can prevent external corrosion, with different internal fluid medium demands.



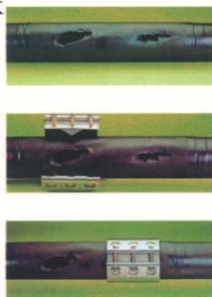
2. In the shipping line connection as well as the application of repair:

After the flexible connection stability, reliability enhancement, in addition to high voltage, and special line outside, almost all piping system can use this product. Because the product of the weight of the same specifications for only 30% of the flange, so more easily in gravity eccentric, distortions and noise big places use, especially in the more severe heat bilges cold shrink place, its use effect is better.



3. Oil, natural gas, coal gas, supply/drain pipe repair the application of emergency operations:

Pipe repair take pressure sealing, fast and reliable, no fire, installation fast, don't need a professional tool, single 10 minutes to complete the work



4. Complete sets of equipment installation on the application

This product outstanding characteristic is can connect different capable person is qualitative, pipe diameter different pipeline, compensation distance can be adjusted, disassemble the product, to remove the pipeline and maintenance, and allow the biggest 6° axial deviation Angle.



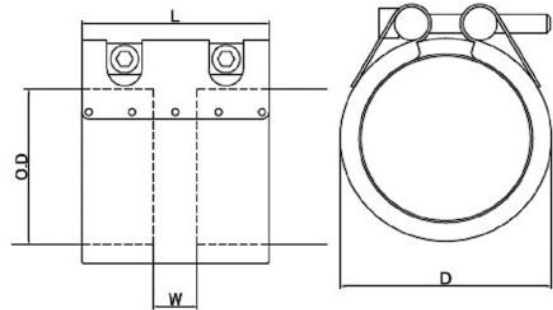
Single band multifunctional pipe cupling



MF-S



MF-L



Product features: Multifunctional pipe connectors have stronger generalization, it can be used in all kinds of metal pipe or scrap metal pipe quick connection; In pipe flow media, pipe wall thickness and end face house without special requirement, this product can substitute the flange goods such as welding connection trival, can solve different diameters, axial displacement, Angle deviation, different pipe of the interconnections, no special tools can construction operation.

Technical parameter

Model	O. D (mm)	Out-dia range (mm)	Width (mm)		Setting gap W (mm)		Mpa	N. m	Weight (Kg)	
			(S)	(L)	S	L			S	L
MF-32A	42	42-44	57		15±10	30±25	2.5	5-10	0.3	0.5
MF-40A	48.6	47-49	57	100	15±10	30±25	2.5	5-10	0.32	0.5
MF-50A	60	59-62	80	139	20±15	45±40	2.5	10-15	0.7	1.2
MF-65A	76	75-78	80	139	20±15	45±40	2.5	10-15	0.73	1.3
MF-80A	89	88-92	107	203	25±20	60±55	1.6	15-20	1.4	2.7
MF-100A	108	106-110	107	203	25±20	60±55	1.6	15-20	1.6	3.1
MF-100A	114	112-116	107	203	25±20	60±55	1.6	15-20	1.6	3.4
MF-125A	140	137-143	116	203	30±25	60±55	1.6	25-30	2.5	4.8
MF-150A	159	157-170	116	203	30±25	60±55	1.6	25-30	2.9	5.6
MF-150A	168	166-170	116	203	30±25	60±55	1.6	25-30	2.9	5.8
MF-200A	219	217-221	155	255	30±25	60±55	1.2	40-80	6.2	10.7
MF-250A	273	271-275	155	255	30±25	60±55	1.2	40-80	7.2	10.7
MF-300A	325	323-327	155	255	30±25	60±55	1	80-120	8.5	14.9
MF-350A	377	375-381	155	255	30±25	60±55	1	80-120	10.2	15.2
MF-400A	426	424-428	155	255	30±25	60±55	0.8	80-120	11.3	17.6
MF-450A	480	476-484	155	255	30±25	60±55	0.8	80-120	12.1	18.2
MF-500A	530	526-534	155	255	30±25	60±55	0.8	120-150	13.2	21.5

Note: 1. My company can according to customers' special requirements standards or other non-standard caliber product. If you need more than in DN500 caliber product, please directly to the manufacturer for reference material.

2. Inquiry or order attention : According to your actual requirements, choose MF-S or MF-L connector, and please indicate the pipe diameter pipeline internal fluid medium, and the pressure in the pipeline, positive pressure or negative pressure, so as to better tailored more practical products.

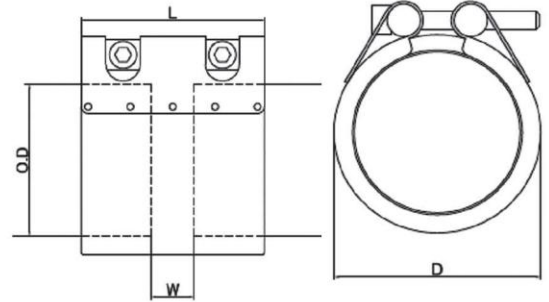
GR Toothed ring type pipe connection



GR-S



GR-L



Product features: GR Toothed ring type pipe connection with strong seal performance and tensile to take off the ability, the ring gear type design can play in pipe connections, good anti-seismic, impact resistance, reduce noise effect.

Technical parameter

Model	O. D (mm)	Out-dia range (mm)	Width (mm)		Setting gap W (mm)		Mpa	N. m	Weight (Kg)	
			(S)	(L)	(S)	(L)			(S)	(L)
GR-32A	42	42-44	57	100	15±10	30±25	2.5	5-10	0.3	0.5
GR-40A	48.6	47-49	57	100	15±10	30±25	2.5	5-10	0.32	0.5
GR-50A	60	59-62	80	139	20±15	45±40	2.5	10-15	0.7	1.2
GR-65A	76	75-78	80	139	20±15	45±40	2.5	10-15	0.73	1.3
GR-80A	89	88-92	107	203	25±20	60±55	1.6	15-20	1.4	2.7
GR-100A	108	106-110	107	203	25±20	60±55	1.6	15-20	1.6	3.1
GR-100A	114	112-116	107	203	25±20	60±55	1.6	15-20	1.6	3.4
GR-125A	140	137-143	116	203	30±25	60±55	1.6	25-30	2.5	4.8
GR-150A	159	157-170	116	203	30±25	60±55	1.6	25-30	2.9	5.6
GR-150A	168	166-170	116	203	30±25	60±55	1.6	25-30	2.9	5.8
GR-200A	219	217-221	155	255	30±25	60±55	1.2	40-80	6.2	10.7
GR-250A	273	271-275	155	255	30±25	60±55	1.2	40-80	7.2	10.7
GR-300A	325	323-327	155	255	30±25	60±55	1	80-120	8.5	14.9
GR-350A	377	375-381	155	255	30±25	60±55	1	80-120	10.2	15.2
GR-400A	426	424-428	155	255	30±25	60±55	0.8	80-120	11.3	17.6
GR-450A	480	476-484	155	255	30±25	60±55	0.8	80-120	12.1	18.2
GR-500A	530	526-534	155	255	30±25	60±55	0.8	120-150	13.2	21.5

Note: 1. My company can according to customers' special requirements standards or other non-standard caliber product. If you need more than in DN500 caliber product, please directly to the manufacturer for reference material.

2. Inquiry or order attention : According to your actual requirements, choose GR-S or GR-L connector, and please indicate the pipe diameter pipeline internal fluid medium, and the pressure in the pipeline, positive pressure or negative pressure, so as to better tailored more practical products.

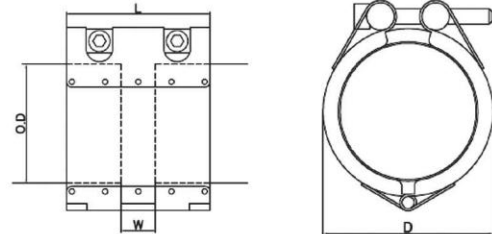


RCH-S



RCH-L

RCH Folding tyre repair clamp explain and technical parameter



Product features: The main practical proud to close out the fast repair, can be on the pressure, not replace pipe of aging, the pipeline corrosion caused by sand holes, was for the rapid repairing, easy installation, construction efficiency is tall, no special tools can construction operation

Technical parameter

Model	O. D (mm)	Out-dia range (mm)	Width (mm)		Setting gap W (mm)		Mpa	N. m	Weight (Kg)	
			(S)	(L)	S	L			S	L
RCH-15A	21.7	21-23	57		15±10		2.5	5-10	0.26	
RCH-20A	27.2	26-28	57		15±10		2.5	5-10	0.28	
RCH-25A	34	33-35	57		15±10		2.5	5-10	0.3	
RCH-32A	42	42-44	57	100	15±10	30±25	2.5	5-10	0.35	0.5
RCH-40A	48.6	47-49	57	100	15±10	30±25	2.5	5-10	0.35	0.6
RCH-50A	60	59-62	80	139	20±15	45±40	2.5	10-15	0.8	1.4
RCH-65A	76	75-78	80	139	20±15	45±40	2.5	10-15	0.86	1.5
RCH-80A	89	88-92	107	203	25±20	60±55	1.6	15-20	1.6	3.1
RCH-100A	108	106-110	107	203	25±20	60±55	1.6	15-20	1.8	3.4
RCH-100A	114	112-116	107	203	25±20	60±55	1.6	15-20	2.1	3.7
RCH-125A	140	137-143	116	203	30±25	60±55	1.6	25-30	3.1	4.7
RCH-150A	159	157-170	116	203	30±25	60±55	1.6	25-30	3.2	5.9
RCH-150A	168	166-170	116	203	30±25	60±55	1.6	25-30	3.4	6.2
RCH-200A	219	217-221	155	255	30±25	60±55	1.2	40-80	7	12.2
RCH-250A	273	271-275	155	255	30±25	60±55	1.2	40-80	7.9	13.5
RCH-300A	325	323-327	155	255	30±25	60±55	1	80-120	9	16.3
RCH-350A	377	375-381	155	255	30±25	60±55	1	80-120	11	18.6
RCH-400A	426	424-428	155	255	30±25	60±55	0.8	80-120	12.3	20.4
RCH-450A	480	476-484	155	255	30±25	60±55	0.8	80-120	13	21.6
RCH-500A	530	526-534	155	255	30±25	60±55	0.8	120-150	14.1	23.8

Note: 1. My company can according to customers' special requirements standards or other non-standard caliber product. If you need more than in DN500 caliber product, please directly to the manufacturer for reference material.

2. Inquiry or order attention : According to your actual requirements, choose RCH-S or RCH-L connector, and please indicate the pipe diameter pipeline internal fluid medium, and the pressure in the pipeline, positive pressure or negative pressure, so as to better tailored more practical products.

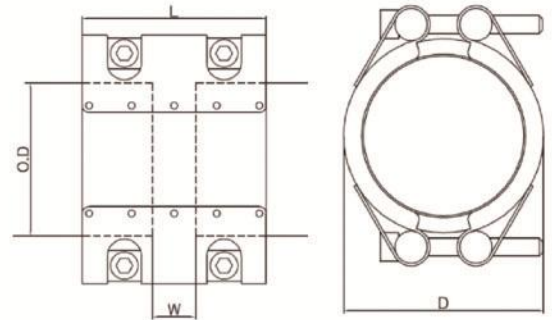
RCD DoubleCard repair clamp explain and technical parameter



RCD-S



RCD-L



Product features: The main practical proud to close out the fast repair, can be on the pressure, not replace pipe of aging, the pipeline corrosion caused by sand holes, was for the rapid repairing, easy installation, construction efficiency is tall, no special tools can construction operation

Technical parameter

Model	O. D (mm)	Out-dia range (mm)	Width (mm)		Setting gap W (mm)		Mpa	N. m	Weight (Kg)	
			(S)	(L)	S	L			S	L
RCD-32A	42	42-44	57	100	15±10	30±25	2.5	5-10	0.5	0.7
RCD-40A	48.6	47-49	57	100	15±10	30±25	2.5	5-10	0.6	0.8
RCD-50A	60	59-62	80	139	20±15	45±40	2.5	10-15	1.1	1.9
RCD-65A	76	75-78	80	139	20±15	45±40	2.5	10-15	1.1	2.1
RCD-80A	89	88-92	107	203	25±20	60±55	1.6	15-20	2.1	4
RCD-100A	108	106-110	107	203	25±20	60±55	1.6	15-20	2.3	4.4
RCD-100A	114	112-116	107	203	25±20	60±55	1.6	15-20	2.45	4.6
RCD-125A	140	137-143	116	203	30±25	60±55	1.6	25-30	3.7	6
RCD-150A	159	157-170	116	203	30±25	60±55	1.6	25-30	4	6.4
RCD-150A	168	166-170	116	203	30±25	60±55	1.6	25-30	4.3	6.8
RCD-200A	219	217-221	155	255	30±25	60±55	1.2	40-80	8.8	12
RCD-250A	273	271-275	155	255	30±25	60±55	1.2	40-80	9.7	14.8
RCD-300A	325	323-327	155	255	30±25	60±55	1	80-120	12	19.2
RCD-350A	377	375-381	155	255	30±25	60±55	1	80-120	13	22
RCD-400A	426	424-428	155	255	30±25	60±55	0.8	80-120	14.3	24
RCD-450A	480	476-484	155	255	30±25	60±55	0.8	80-120	15	25.8
RCD-500A	530	526-534	155	255	30±25	60±55	0.8	120-150	16	27

Note: 1. My company can according to customers' special requirements standards or other non-standard caliber product. If you need more than in DN500 caliber product, please directly to the manufacturer for reference material.

2. Inquiry or order attention : According to your actual requirements, choose RCD-S or RCD-L connector, and please indicate the pipe diameter pipeline internal fluid medium, and the pressure in the pipeline, positive pressure or negative pressure, so as to better tailored more practical products.

Installation instructions and structural descriptions



No.	Components	Property	No.	Components	Property	
1	Outer casing	SUS 304,316,201	3	Components stopper	SUS 304,316,201	
2	Rubber sealing cylinder	EPDM	Water, air, powdered dust and ordinary steam	4	Pole	SUS304, or S45C Carbon steel
		NBR	Natural gas, oil, gasoline other hydro-carbonate	5	Bolt pole	SUS304, or S45C Carbon steel
		SILICONE	Anti-sun exposure, anti-high temperature, temperature-insulated	6	Screwed pole	SUS 304, SCM 435 MOL YBUDEN . SUS410
		VITON	Anti-heat, anti-chemical corrosion	7	Ring	SUS 304-H, SUS 301-H
		GORE-TEX	Anti-heat, anti-chemical corrosion			

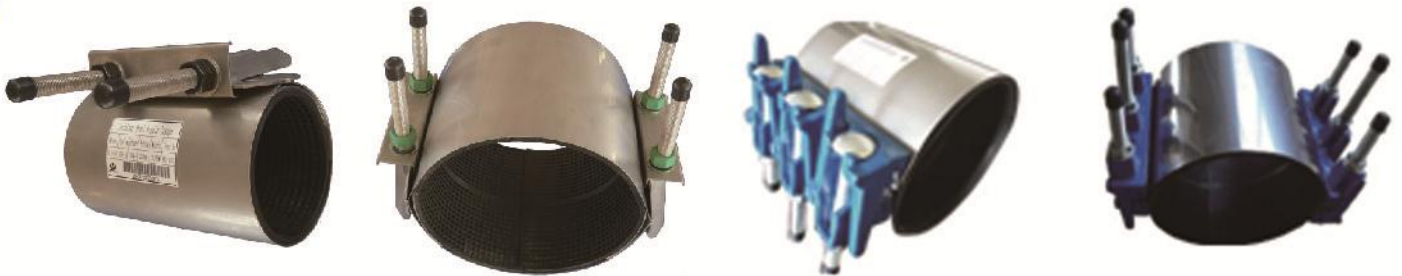
Pipe connector installation steps:

	1. Confirm pipe diameter, choose corresponding model connectors.
	2. Remove the burr, pointed and sundry gasket, ensure that under no foreign body and steel pipe.
	3. In the two tube marking, make the connector is located in the middle position, will insert the end product pipeline, align two pipes, and then two pipe connector move to the middle.
	4. Adjust good connectors, then use hex wrench even hard to tighten the bolt. 2 the above products, in bolt after tightening, use mallets striking the connector two side, to and conduit joints even, and then again to tighten bolts, so as to meet the best sealing effectiveness

Repair clamp installation steps:

	1. Confirm pipe diameter, select the corresponding types of connectors
	2. In the repair work, should be in the shell and apron surface daub right amount lubricating oil, emergency can use the soap water or water, reduce the rubber friction
	3. Open the repair, pay attention to the side apron beyond repair 4-5 cm, steel shell of shear in the mouth aligned, and then the set for the position of the repair, pay attention to the plastic board, try to avoid the pipeline leak at the place.
	4. Installation environment is bad, can use the taut as auxiliary tools to help smooth fast connection, pay attention to insert steel lining board inside the shell and prevent damage to the liner.
	5. In the installation, use mallets or rubber hammer stainless steel shell edge on both sides, make its surrounding and pipeline gap even.
	6. To enter fully into steel shell lining board with hex bolt on wrench
	7. Remove, first to loosen bolts, and then pushed hard on both sides of the enclosure, to open shell, then open the apron, take down the repair

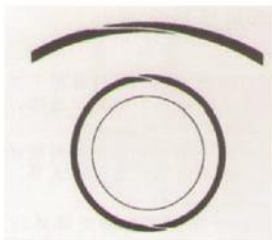
Band repair clamp's characteristics



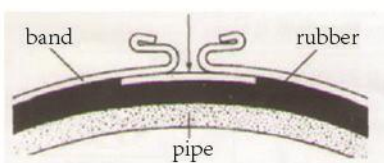
Product features:

- 1、 The main band type of repair clamp are cast iron pipe, steel, cement tube, PE, PVC, glass steel tube and so on many kinds of pipeline rupture, perforation, and all kinds of crack damage provides a quick and economic repair method can greatly reduce material and labor costs.
- 2、 This product installation convenient, quick, need only one person, a wrench can easily finish pipe repair, no longer needs a large number of workers, can need not stopped completely, not replace pipe pressure of piping of fast repair, the circular arc of the degree requirements for pipe low.
- 3、 The stainless steel material, have anticorrosive, high toughness, hardness and other characteristics.
- 4、 Band type of repair clamp have Double sealing ring, aft into tapered, as long as it is within the scope of arms hoop size, where all can realize effective overlap, uniform seal. Sealing ring surface for fine mesh, can adapt to rough, the irregular surface porous pipes, around the entire pipeline sealing circle form effective.
- 5、 This product use the card buckle type connection mode, and the product scope biggest suitable diameter can be up to 30 mm, can greatly reduce inventory, the product specification can be (from DN1500-repair width can be up to 2000 mm, almost can meet the size of pipe.

cone sealing structure

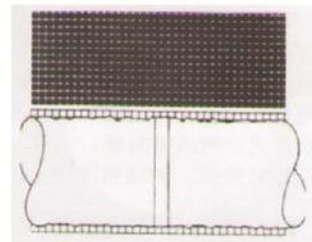


Double taper sealing ring, for all the holding hoop to provide continuous caliber, uniform sealing.

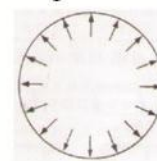


Frame set to the next board inside plastic board, level off of adhesion in sealing ring inside, seal face level, ensure sealing ring 100% stress even, make reliable seal

Sealing ring stress even



Small seal case a barrier to form, and the rough surface completely pipe joint, effectively sealed rough porous surface, partition leak path.



Sealing ring stress along the pipe circumference evenly distributed

Stainless steel repair clamp



SS-CR Single band repair clamp



SS-CR Double band repair clamp

Product features:

The main practical pipe leakage fast repair, can be on the pressure, not replace pipe of aging, the pipeline corrosion caused by sand holes, was for the rapid repairing, easy installation, construction efficiency is tall, no special tools can construction operation. The product widely, the circular arc of the degree requirements for pipe low, is used widely.

SS repair clamp Technical parameter

Out-dia range	CR-1	Working pressure Mpa	Out-dia range	CR-2	Working pressure Mpa
	150mm-600mm			150mm-600mm	
59-67	●	1.6			
65-73	●	1.6			
69-76	●	1.6			
75-83	●	1.6			
86-94	●	1.6			
108-118	●	1.6			
113-121	●	1.6			
121-131	●	1.6			
126-136	●	1.6			
132-142	●	1.6			
145-155	●	1.6	108-118	●	1.6
151-161	●	1.6	113-133	●	1.6
159-170	●	1.6	120-141	●	1.6
166-177	●	1.6	168-188	●	1.6
170-180	●	1.6	174-194	●	1.6
174-184	●	1.6	219-239	●	1.6
179-189	●	1.6	228-249	●	1.0
189-199	●	1.6	273-293	●	1.0
218-228	●	1.6	282-302	●	1.0
222-233	●	1.0	295-315	●	1.0
229-239	●	1.0	324-344	●	1.0
236-246	●	1.0	335-356	●	1.0
248-258	●	1.0	347-367	●	1.0
250-260	●	1.0	357-376	●	1.0
252-263	●	1.0	365-384	●	1.0
261-271	●	1.0	383-402	●	1.0
271-281	●	1.0	404-423	●	1.0
280-291	●	1.0	421-440	●	1.0
288-298	●	1.0	436-455	●	1.0
298-309	●	1.0	453-472	●	1.0
300-310	●	1.0	469-488	●	1.0
304-314	●	1.0	488-507	●	1.0
321-331	●	1.0	505-525	●	1.0
333-343	●	1.0	526-545	●	1.0
340-351	●	1.0	547-566	●	1.0
348-358	●	1.0	562-581	●	1.0
356-366	●	1.0	582-601	●	1.0

Note: 1. My company can according to customers' special requirements standards or other non-standard caliber product.

D.I band repair clamp



ZR-1 Single band repair clamp



ZR-2 Double band repair clamp

Product features:

Product features: The main practical proud to close out the fast repair, can be on the pressure, not replace pipe of aging, the pipeline corrosion caused by sand holes, was for the rapid repairing, easy installation, construction efficiency is tall, no special tools can construction operation.

D.I repair clamp Technical parameter :

Out-dia range	ZR-1	Working pressure	Out-dia range	ZR-2	Working pressure
	200mm-600mm	Mpa		200mm-600mm	Mpa
59-67	●	1.6			
65-73	●	1.6			
69-76	●	1.6			
75-83	●	1.6			
86-94	●	1.6			
108-118	●	1.6			
113-121	●	1.6			
121-131	●	1.6			
126-136	●	1.6			
132-142	●	1.6			
145-155	●	1.6	108-118	●	1.6
151-161	●	1.6	113-133	●	1.6
159-170	●	1.6	120-141	●	1.6
166-177	●	1.6	168-188	●	1.6
170-180	●	1.6	174-194	●	1.6
174-184	●	1.6	219-239	●	1.6
179-189	●	1.6	228-249	●	1.0
189-199	●	1.6	273-293	●	1.0
218-228	●	1.6	282-302	●	1.0
222-233	●	1.0	295-315	●	1.0
229-239	●	1.0	324-344	●	1.0
236-246	●	1.0	335-356	●	1.0
248-258	●	1.0	347-367	●	1.0
250-260	●	1.0	357-376	●	1.0
252-263	●	1.0	365-384	●	1.0
261-271	●	1.0	383-402	●	1.0
271-281	●	1.0	404-423	●	1.0
280-291	●	1.0	421-440	●	1.0
288-298	●	1.0	436-455	●	1.0
298-309	●	1.0	453-472	●	1.0
300-310	●	1.0	469-488	●	1.0
304-314	●	1.0	488-507	●	1.0
321-331	●	1.0	505-525	●	1.0
333-343	●	1.0	526-545	●	1.0
340-351	●	1.0	547-566	●	1.0
348-358	●	1.0	562-581	●	1.0
356-366	●	1.0	582-601	●	1.0

Note: 1. My company can according to customers' special requirements standards or other non-standard caliber product.

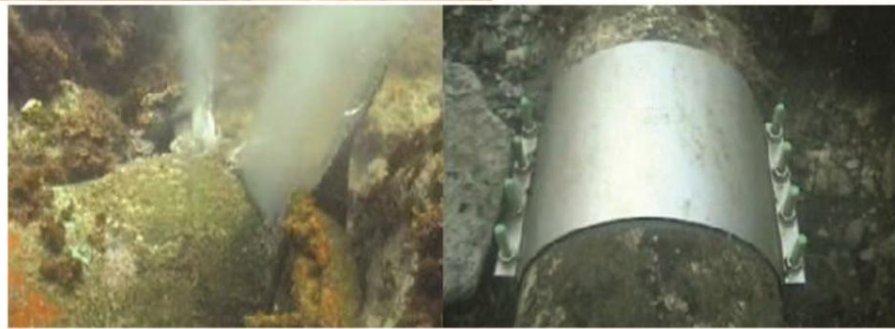
Band type multi-functional pipe repair of the specific application of the device



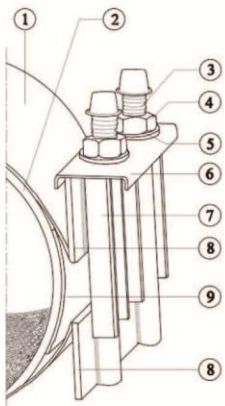
1. The ground pipeline oil and gas, give/drainage engineering application.

Board type repair is convenient, reliable, safe, no fire, service line damaged length of up to 600 mm is common product length of more than 5 times, meet a variety of damaged pipeline maintenance requirement.

2. Underwater pipeline maintenance applications
The pipeline without pressure sealing year-on-year flange, light weight, small size, convenient operation, fast and reliable without fire, pipeline needs no special treatment can easily finish underwater repairs.

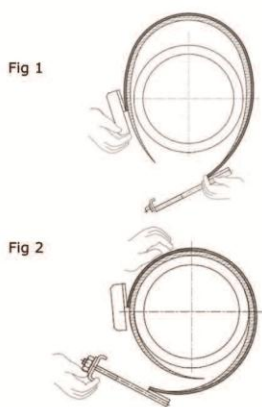


Part name

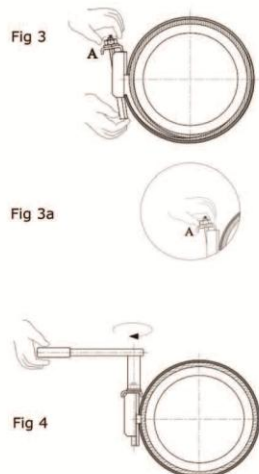


NO	Components	Property	NO	Components	Property	
1	Outer casing	sus304, 316, 201	3	Bolts	SUS304, 316, Q235galuanization	
2	Rubber sealing cylinder	EPDM	Water, air, powdered dust and ordinary steam	4	Nuts	SUS304, 316, Q235galuanization
		NBR	Natural gas, oil, gasoline other hydro-carbonate	5	Gasket	SUS304, 316, Q235galuanization
		SILICONE	Anti-sunexposure, anti-high temperature, temperature-insulated	6	Buckle	SUS304, 316, 201
		VITON	Anti-heat, anti-chemical corrosion.	7	Detector	SUS304, 316, 201
		GORE-TEX	Anti-heat, anti-chemical corrosion.	8	Backpanets	SUS304, 316, GGG40
			9	Front tenders	SUS304, 316, 201	

Installation step



GRO/CR1



CR2/CR3

Band repair clamp instructions

1、 How to choice the band repair clamp

Sure need to repair the pipe diameter (OD), the product LouDian size, select the repair type (single card or double card, product width), choose the size range of repair should include be repaired pipe diameter size.

2、 installation tips

- 1) as thoroughly clean the outer surface of the pipeline.
- 2) in pipelines do reference marks, the installation is completed, the markers can be used to check the repair is accurate covered the damaged area.
- 3) use water, soap and water piping lubrication, can reduce friction, make more easy to install sealing ring.
- 4) Clean and lubrication bolt, will reduce the friction to more easily to lock a torque.
- 5) Maintain certain pressure pipe, water flow through unceasingly, will prevent foreign body or pollutants into the pipeline.
- 6) Piping lubrication sufficient, full surround the repair can easily install to damage, and can slide
- 7) To bring the level to rise to the pipeline on, will reduce water. The repair to quickly and easily in water installation.
- 8) In the middle of the first will tighten bolts, can prevent water spray, then even to tighten the other bolt, finally all bolts fastened.
- 9) In the pipeline crack at each end drill a hole, general can reduce pressure, prevent crack expanding.

3、 Large diameter circumstances emergency repair

If need repair larger diameter products, but have the corresponding hand repair product, can be smaller diameter is a combination of repairing the cassette repair device.

- 1) Make sure need to repair the pipe diameter precision.
- 2) choose two of three smaller repair machine, its scope shall be equal to the sum of the outer diameter pipe diameter damage range.

Eg:

The need to repair the pipeline for cast iron pipe DN450, 480 mm diameter, using three DN150 for repair, outside diameter scope for 159-170 mm for the repair of the combination that outer diameter scope

159-170

159-170

159-170

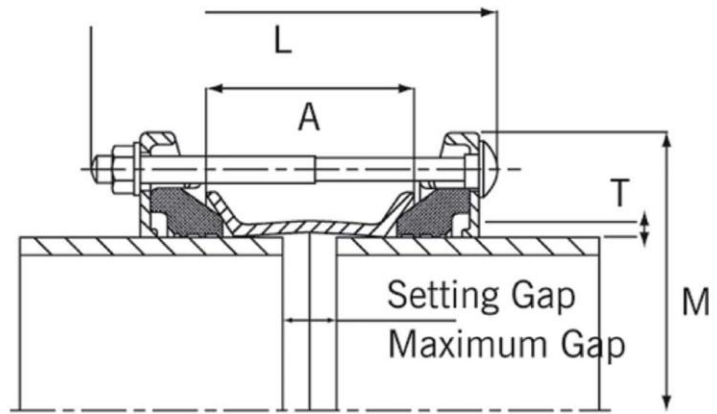
477-510

3) doesn't have to be using the same size of the repair, but size is close to the better.

4、 Repair tip:

Pipe connections between the frequency 25 mm, shall fill in the gaps between a short pipeline, or use thin metals package clearance place, with support sealing ring.

Coupling-Standard Sleeve



Technical parameter

Model	Out-dia range (mm)		Bolts (mm) M	Overall length L	sleeve length (A) × (T)	Max gap (mm)	Bolts No × Dia × Length	Working pressure Mpa	Weight KG
	Min	Max							
ZFJ-DN40	48.0	60.0	149.5	190.0	100*1.5	20±20	2-M12*180	2.5	2.8
ZFJ-DN50	59.0	72.0	154.5	190.0	100*1.5	20±20	4-M12*180	2.5	3.1
ZFJ-DN65	63.0	84.0	173.5	190.0	100*1.5	20±20	4-M12*180	2.5	3.6
ZFJ-DN80	88.0	103.0	195.5	190.0	100*1.5	20±20	4-M12*180	2.5	4.1
ZFJ-DN100	108.0	128.0	224.5	190.0	100*2.0	20±20	4-M12*180	2.5	4.8
ZFJ-DN125	132.0	159.0	254.5	190.0	100*2.0	20±20	4-M12*180	2.5	6
ZFJ-DN150	158.0	182.0	280.5	190.0	100*2.0	20±20	4-M12*180	2.5	6.9
ZFJ-DN175	192.0	210.0	306.5	230.0	130*2.0	20±20	4-M12*220	2.5	9.4
ZFJ-DN200	218.0	235.0	342.5	230.0	130*2.0	30±20	4-M12*220	2.5	10.9
ZFJ-DN225	242.0	269.0	367.5	230.0	130*2.5	30±20	6-M12*220	2.5	12.4
ZFJ-DN250	272.0	289.0	399.5	230.0	130*2.5	30±20	6-M12*220	2.5	14.6
ZFJ-DN300	315.0	332.0	462.5	230.0	130*2.5	30±20	8-M12*220	2.5	16.4
ZFJ-DN350	357.0	368.0	520.5	230.0	130*2.5	30±20	8-M16*265	2.5	19.2

Note: 1. My company can according to customers' special requirements standards or other non-standard caliber product.

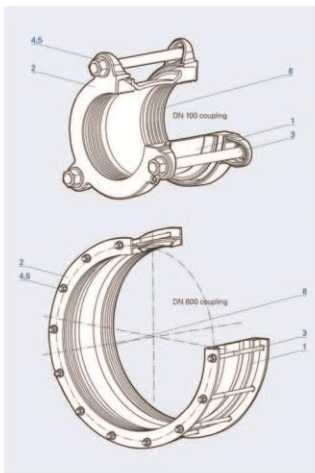
Straight multifunctional pipe connection structure parameters and installation instructions

Application:

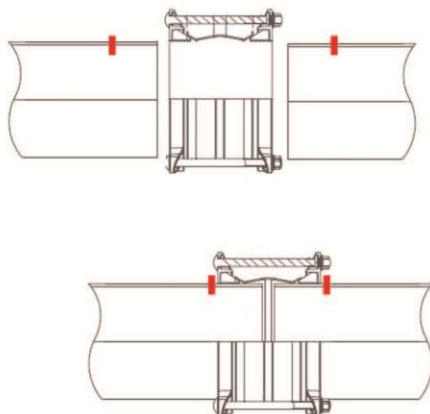
Negative pressure ability realizing idealized differ big diameter of pipe connection, and have a longer axial compensation distance, applied for more services piping erection.



part name



Installation step



Features:

1. Flexible connectors for pipe size adjustment range (pipe diameter variable range achieve 24 mm), greatly reducing inventory demand.
2. Special design of the rubber for many (water, sewage and gas) medium and pipe.
3. Need not remove can be directly installation, significant increase efficiency, save time.
4. Screw have can control head type structure, apply wrench operation, easy installation.

NO	Components	Property	NO	Components	Property	
1	Lumen	SUS304, 316, Q235B	6	Rubber sealing cylinder	EPDM	Water, air, powdered dust and ordinary steam
2	Flange	SUS304, 316, GGG40			NBR	Natural gas, oil, gasoline other hydro-carbonate
3	Bolt	SUS304, 316, S45C galuanization			SILICONE	Anti-sunexposure, anti-high temperature, temperature-insulated.
4	Nuts	SUS304, 316, S45C galuanization			VITON	Anti-heat, anti-chemical corrosion.
5	Gasket	SUS304, 316, S45C galuanization			GORE-TEX	Anti-heat, anti-chemical corrosion.

Install method:

1. First the pipeline both ends well mark.
2. Will be inserted products and make two of tube in technical parameters from the specified scope.
3. Finally using a wrench will tighten bolts.

Installation instructions and structural descriptions



S.JW-H



S.JW-F

Application: applied to leak, lesser, pipe diameter of the smaller of oil and gas, give/drainage fast repair.
 Product features: With pressure sealing, has realized than flange light weight, small size, convenient operation, fast and reliable, no fire, pipeline needs no special treatment can easily finish pipe repair.

PIPE	Range		Width (mm)			Bolt	working pressure
	mm	inch	1 bolt	2 bolts	4bolts	Size	Mpa
NORM							
1/2"	21 - 25	0.83-0.98	75	150	300	M10 ×75	1.6
3/4"	26 - 30	1.02-1.18	75	150	300	M10 ×75	1.6
1"	29 - 33	1.14-1.30	75	150	300	M10 ×75	1.6
1"	33 - 37	1.30-1.46	75	150	300	M10 ×75	1.6
1 1/4"	42 - 45	1.65-1.77	75	150	300	M10 ×75	1.6
1 1/4"	44 - 48	1.73-1.89	75	150	300	M10 ×75	1.6
1 1/2"	48 - 51	1.89-2.01	75	150	300	M10 ×75	1.6
1 1/2"	50 - 54	1.97-2.13	75	150	300	M10 ×75	1.6
1 1/2"	55 - 60	2.17-2.36	75	150	300	M10 ×75	1.6
2"	60 - 64	2.36-2.52	75	150	300	M10 ×75	1.6
2"	65 - 69	2.56-2.72	75	150	300	M10 ×75	1.6
2 1/2"	69 - 73	2.72-2.87	75	150	300	M10 × 100	1.6
2 1/2"	71 - 76	2.80-2.99	75	150	300	M10 × 100	1.6
2 1/2"	78 - 82	3.07-3.23	75	150	300	M10 × 100	1.6
3"	82 - 87	3.23-3.43	75	150	300	M10 × 100	1.6
3"	87 - 93	3.43-3.66	75	150	300	M10 × 100	1.6
3"	94 - 100	3.70-3.94	75	150	300	M10 × 100	1.6
3"	99 - 104	3.90-4.09	75	150	300	M10 × 100	1.6
4"	105 - 111	4.13-4.37	75	150	300	M10 × 100	1.6
4"	112 - 117	4.41-4.61	75	150	300	M10 × 100	1.6
4"	120 - 126	4.72-4.96	75	150	300	M10 × 100	1.6
4"	126 - 131	4.96-5.16	75	150	300	M10 × 100	1.6

Stainless steel minitype repair clamp



SS-H



SS-F

Application: applied to leak, lesser, pipe diameter of the smaller of oil and gas, give/drainage fast repair.

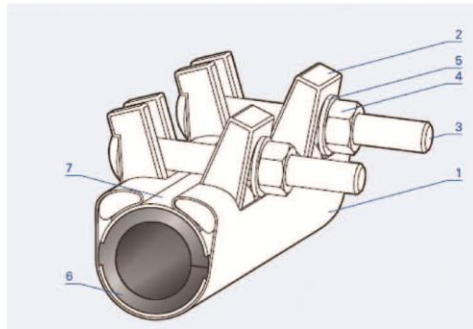
Product features: With pressure sealing, has realized than flange light weight, small size, convenient operation, fast and reliable, no fire, pipeline needs no special treatment can easily finish pipe repair.

Technical parameter

PIPE	Range		Width (mm)			Bolt Size	working pressure Mpa
	mm	inch	1 bolt	2 bolts	4 bolts		
1/2"	21 - 25	0.83 - 0.98	75	150	300	M12 × 140	1.6
3/4"	26 - 30	1.02 - 1.18	75	150	300	M12 × 140	1.6
1"	29 - 33	1.14 - 1.30	75	150	300	M12 × 140	1.6
1"	33 - 37	1.30 - 1.46	75	150	300	M12 × 140	1.6
1 1/4"	42 - 45	1.65 - 1.77	75	150	300	M12 × 140	1.6
1 1/4"	44 - 48	1.73 - 1.89	75	150	300	M12 × 140	1.6
1 1/2"	48 - 51	1.89 - 2.01	75	150	300	M12 × 140	1.6
1 1/2"	50 - 54	1.97 - 2.13	75	150	300	M12 × 140	1.6
1 1/2"	55 - 60	2.17 - 2.36	75	150	300	M12 × 140	1.6
2"	60 - 64	2.36 - 2.52	75	150	300	M12 × 140	1.6
2"	65 - 69	2.56 - 2.72	75	150	300	M12 × 140	1.6

H-minitype repair clamp

Installation instructions and structural descriptions



No.	Components	Property		No.	Components	Property
1	Outer casing	SUS304, 316, 201		2	Fastening	GGG40galvanization, 304, 316 stainless steel
6	Rubber sealing cylinder	EPDM	Water, air, powdered dust and ordinary steam	3	Bolts	SUS304, 316, Q235 galvanization
		NBR	Natural gas, oil, gasoline other hydrocarbonate	4	Nuts	SUS304, 316, Q235 galvanization
		SILICONE	Anti-sunexposure, anti-high temperature, temperature-insulated	5	Gasket	SUS304, 316, Q235 galvanization
		VITON	Anti-heat, anti-chemical corrosion	7	Fender	SUS304, 316, 201
		GORE-TEX	Anti-heat, anti-chemical corrosion			

Installation instructions:



Installation steps:

1. Confirm the outer diameter pipeline leak, the choice of the corresponding repair products
2. Wipe the pipeline leak out of the surrounding, to keep it clean
3. Use soap water or oil pipeline leak daub circle, make sealed plastic mat can reduce friction (emergency situations can be water instead of)
4. Open the repair bolt, will product packets to the tube leak a side, and to ensure that it can move.
5. Move to leak position, pads intermediate position at the leak points, to tighten the bolt.
6. If two and two or more bolt, when installation should be equally tighten it up.

CR-T band diverging Tee explain and technical parameter



Product features: The product is mainly suitable for gas, oil, supply/drainage pipeline shunt, do not need to remove the pipeline, quickly take pressure determined.

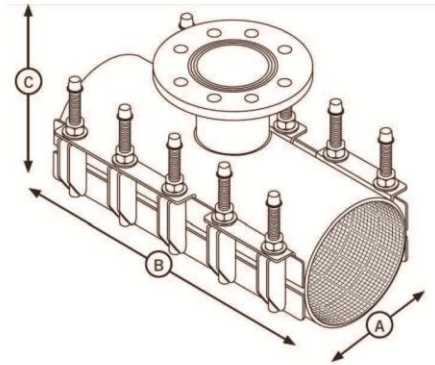
Products branch fittings style: in direct connecting wire, wire connectors, the flange joint etc



Product order information: because all sorts of pipes and diameter changes required size to differ, please you in the order or consulting, please let us know what you need to tap pipe diameter specifications and style + shunt (such as the diameter changes for 2", through the wire connector or flange constructed, flange standards, kg pressure) + pipe flow media + line pressure

CR-T band diverging Tee

Technical parameter



Dn (mm)	OD pange (mm)	Working pressure (bar)	Length of Clamp(mm)				
			300 Max Flange Nom &Flnge Drilling	400 Max Flange Nom &Flnge Drilling	500 Max Flange Nom &Flnge Drilling	600 Max Flange Nom &Flnge Drilling	1000 Max Flange Nom &Flnge Drilling
80	88-110	16	DN65 PN10/16	DN65 PN10/16	DN65 PN10/16		
100	108-128	16	DN65 PN10/16	DN80 PN10/16	DN80 PN10/16		
100	114-134	16	DN65 PN10/16	DN80 PN10/16	DN80 PN10/16		
125	133-155	16	DN65 PN10/16	DN100 PN10/16	DN100 PN10/16		
150	158-180	16	DN100 PN10/16	DN125 PN10/16	DN125 PN10/16		
150	190-210	16	DN100 PN10/16	DN150 PN10/16	DN150 PN10/16		
150	195-217	16	DN100 PN10/16	DN150 PN10/16	DN150 PN10/16		
200	200-222	16	DN150 PN10/16	DN150 PN10/16	DN150 PN10/16		
200	216-238	10	DN150 PN10/16	DN150 PN10/16	DN150 PN10/16		
225	240-260	10	DN150 PN10/16	DN150 PN10/16	DN200 PN10		
225	250-274	10	DN150 PN10/16	DN150 PN10/16	DN200 PN10		
300	314-334	10	DN150 PN10/16	DN150PN10/16	DN200 PN10		
350	350-368	10		DN150PN10/16	DN200 PN10		
350	360-380	10		DN150PN10/16	DN200 PN10		
400	404-424	10		DN150PN10/16	DN200 PN10		
400	414-434	10		DN150PN10/16	DN200 PN10		
450	435-455	10			DN200 PN10		
450	468-488	10			DN200 PN10		
500	514-534	10			DN300 PN10		
500	545-575	10			DN300 PN10		
600	608-638	6				DN300 PN10	
700	708-738	6				DN300 PN10	
700	728-758	6				DN300 PN10	
750	748-778	6				DN300 PN10	
750	768-798	6				DN300 PN10	
800	813-843	6					DN500 PN10
900	914-946	4					DN500 PN10
1000	1016-1048	4					DN500 PN10
1100	1118-1158	4					DN500 PN10
1200	1219-1269	4					DN500 PN10
1400	1420-1462	4					DN500 PN10

New Products

1、 Big diameters lengthen the repair

Product features:

The main aim at the larger diameter, and leakage length large pipe to repair them. (DN2000 from maintenance pipe diameter, products maximum width up to 2 m, can repair cracks within one meter. The product application scope is broad, can adapt to pipe diameter tolerance range can be up to 30-40 mm, distorted pipe can also be easily repaired. Specific parameters please to manufacturer consultation.



2、 Mine fast loading connector

Product features:

Free, free, resistance welding hot pull off, no pipes, apply pressure 3.5 Mpa within the supply air, water drainage, pumping gas pipeline, etc. Easy installation, no special technical requirements, single person can quickly complete installation.



10 Mpa from welding, resistance to drag type pipe fast loading joint please look forwards.



**Add: 75# ShiJiaGou East Wind Industrial
Park ZhongChang Street JinZhou District
DaLian City LiaoNing PR China
Zip code: 116100**

Domestic Trading Department:

Tel:+86-411-39819332

Fax:+86-411-87841318 call 807

E-mail: wenjiel-08@163.com

International Trading Department:

Tel:+86-411-39949876

Fax:+86-411-87841318 call 807

E-mail:sdshalex@yahoo.cn

Website: <http://dlzhjx.com>